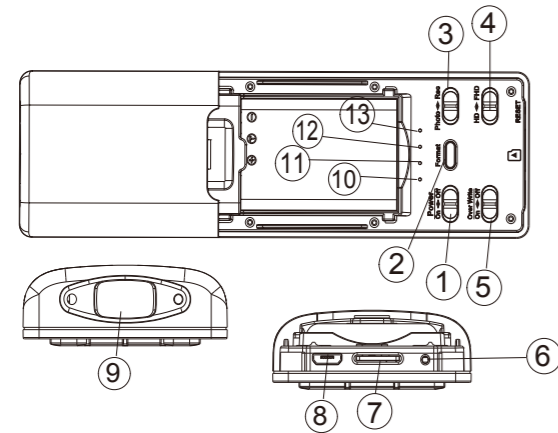


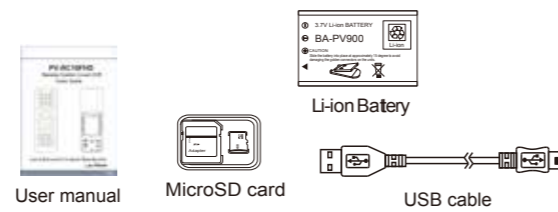
1. Name and Parts



- | | |
|---------------------|--------------------------------|
| 1. Power switch | 9. PIR Sensor |
| 2. Format Button | 10. Rec(Red)LED |
| 3. Photo/Rec Switch | 11. Overwrite(Bright Green)LED |
| 4. HD/FHD Switch | 12. Charging(Green)LED |
| 5. Overwrite Switch | 13. Power(Blue)LED |
| 6. Reset Button | |
| 7. Memory Card Slot | |
| 8. USB Port | |

(1)

2. Package Content

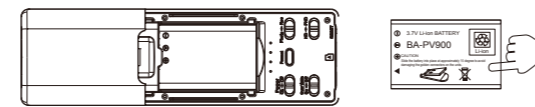


3. LED Indicators

| LED Indicators | Device Status |
|------------------------|------------------|
| Solid Red LED | Recording on |
| Red LED Blinks Once | Snapshot |
| Blinking Red LED | Memory Card Full |
| Solid Green LED | Device Charging |
| Solid Blue LED | Power On |
| Blinking Blue LED | No Memory Card |
| Solid Bright Green LED | Overwrite On |

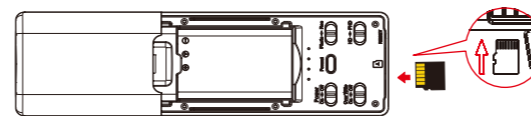
(2)

4. Battery Charging



- Remove the battery cover from back.
- Slide the battery into battery tray.
- Close the battery tray with battery cover.
- Connect the USB cable to the base.
- Plug the USB cable to the PC or other USB power source (the green LED will turn on).
- Leave the DVR charging until the green LED is turned off.

5. Format SD Card



- Insert the memory card as shown in the illustration.
- Press & hold on ② then power on the device.
- You will see the Red LED blinking when the memory card is being formatted. The Red LED will be off when the memory card format is completed.

(3)

6. Operation

- Slide the Power switch ① to the left.
- Select operation mode by sliding Photo/Rec switch ③ to place.
 - Rec: Whenever the PIR sensor is triggered, the DVR automatically starts recording. Please note the length of video varies from 5 seconds to 2 minutes depending on the movement detection.
 - Photo: The device takes 3 photos whenever the PIR sensor is triggered.
- Resolution setting by sliding HD/FHD switch ④ to place.
 - Video resolution: HD(1280X720@30fps)
FHD(1920X1080@30fps)
 - Photo resolution: 2MP(1600X1200 .JPG)

7. Download Videos and Photos from DVR

- Video and photo files are stored in the memory card. There are two ways to download video/photo files.
 - Using memory card reader to download video/photo files.
 - With the device powered on and memory card inserted, connect the device to PC by USB connection. It will be recognized by PC as an external drive for user to download the video recordings and photo files.

8. Others

Please be noted that you have to turn off the device first before you change the Photo/Rec mode. The device may crash if you suddenly change the mode with the power on.

(4)

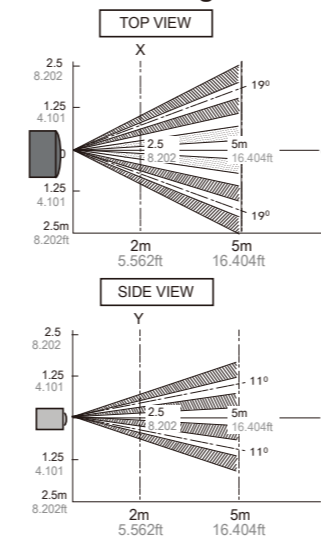
9. Specification

| PV-RC10FHD | |
|-------------------------------|--|
| Built-in Camera Module | |
| Built-in image sensor | 1/3" progressive CMOS sensor |
| Sensor resolution | 2304x1536 |
| Sensor sensitivity | 3.3 Lux @ F 2.0 |
| Lens F/No. | F 3.2 |
| Focal Length | 4mm |
| Angle of View | 66° |
| Video Spec. | |
| Algorithm | H.264, JPEG |
| File Format | MOV, JPG |
| Video recording mode | Manual & Auto |
| Recording Capability | 1920x1080 / 1280x720 |
| Frame rate | Up to 30 fps |
| Photo Capability | 5M |
| Storage & I/O | |
| Memory type | Micro SD Card (Support SDHC max.32GB) |
| Data interface | Mini USB 2.0 |
| Misc. | |
| Date/Time Table | YYYY/MM/DD, HH:MM:SS |
| Power | |
| Power Input | DC 5V |
| Power Consumption | 250mA-390mA |
| Standby Consumption | About 6.4mA |
| Standby time | 9 days |
| Battery Input | DC 3.7V / 1100mA polymers battery |
| Physical | |
| Dimension | 17 x 5 x 1.5 cm |
| Weight | 110g |

(5)

PIR Sensor Illustration

1. Detection Range



2. Detection concerns

They may fail to detect successfully if a heat source other than a human being is detected or if there are no temperature changes in or movement of a heat source. Care must generally be taken in the following cases. The performance and reliability of the sensors must be checked out under conditions of actual use.

(6)

- <1>Cases where a heat source other than a human being is detected
- When a small animal enters the detection range.
 - When the sensor is directly exposed to sunlight, a vehicle's headlights, an incandescent light or some other source of far infrared rays.
 - When the temperature inside the detection range has changed suddenly due to the entry of cold or warm air from an air-conditioning or heating unit, water vapor from a humidifier, etc.

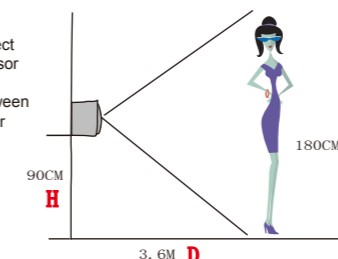
<2>Cases where it is difficult to detect the heat source.

- When an object made of glass acrylic or other subject which far infrared rays have difficult passing through is located between the sensor and what is to be detected.
- When the heat source inside the detection range hardly moves or when it moves at high speed.

3. Installation Suggestion

Definition:
O - the height of object
H - the height of sensor from the ground
D - the distance between object and sensor

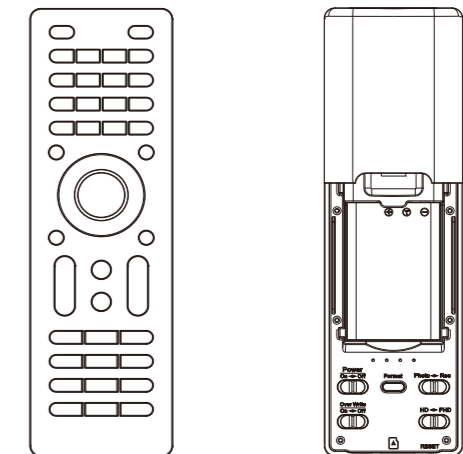
Formula:
 $H = O / 2$
 $D = O \times 2$



For example: To film a man at 180cm height in the video, the sensor should be placed at 90cm height above the ground and the man is 3.6m away from the sensor.

(7)

PV-RC10FHD TV 1080p Remote Control Covert DVR Quick Guide



LawMate, innovation never stops

LawMate®

V1.1