



# User Manual

Mini Portable High Definition Video Recorder

Item# DVR520

## **Introduction:**

Thank you for choosing our product, please read the manual carefully before operating the device in order to enjoy all the features and functions.

## **Safe Operation:**

Do not open case or try to repair this unit. Warranty will be void if the product is found to be tampered with.

If the product is dropped, tampered with or has become wet, the warranty will be void.

## **Maintenance & Storage:**

Clean by using soft cloth. Do not use harsh chemicals or solution to clean unit.

Always store in a clean, dry place.

## Product Features:

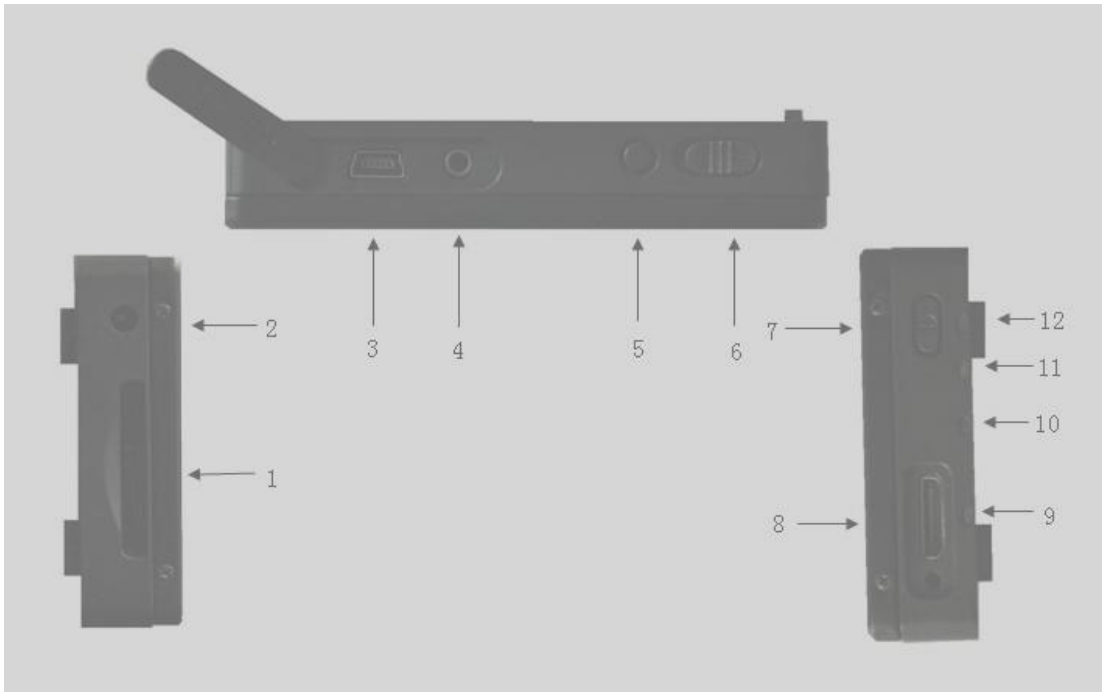
- Detachable battery & camera for easy portability and storage
- Video Recording Resolutions: 1080P@30fps, 720P@60fps, 720P@30fps or 480P@30fps
- Photo Resolutions(Megapixels): 16M, 12M, 5M or 3M
- Supports most SD cards up to 32GB
- Continuous & Motion Detection recording modes
- Pre-Recording Mode, up to 5 seconds of video
- Three power-saving features: Auto LCD Off, Auto Sleep & Auto Power Off
- Fast record button for emergency recording
- Files are organized and named by Date & Time
- Digital RF remote control
- Memory card overwrite capable
- 960\*320 HD 2.7" LCD
- Optional vibration alerts
- Custom User ID options
- High Speed USB 2.0 Interface
- Detachable Lithium Battery:
  - Up to 4hr continuous usage
  - Up to 35hr standby time

## Button Glossary:



1. DVR
2. Screen
3. Camera body and Lens
4. Camera line in
5. Power Switch
6. Take Photo/Snapshot
7. Microphone(Law Enforcement or Export models ONLY)
8. Remote control video record button
9. Remote control indicate light
10. Hardwire Remote
11. Remote Control & Connect data line
12. Down button
13. Enter button
14. Up button
15. Photo Button
16. Video Record switch
17. Line controller

## Interface Glossary:



1. Memory Card Slot
2. DC Power Input
3. USB interface
4. AV Out/Earphone Input
5. Unlock key
6. One touch record button
7. Power & Menu button
8. HDMI Camera Input
9. Camera indicator light
10. Recording indicator light
11. Charge indicator light
12. Power on indicator light

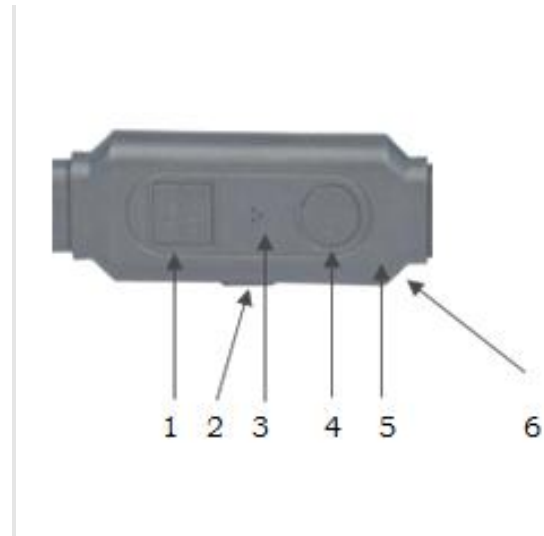
## RF Remote:



1. Pairing Button for Wireless Remote (See Note below)
2. Scroll Up
3. Take Photo/Snapshot
4. Scroll Down
5. Play/Pause/Enter
6. Settings Menu
7. Record


**Note:** When attempting to use the remote control for first time, it may need to be paired to the DVR first. Please enter the DVR menu to set the device into pair mode. Then select the Connect button on the remote to pair it with the DVR.

## Hardwire Remote:











1. Power Switch
2. Button for snapshots
3. Mic(Law Enforcement or Export models ONLY)
4. Remote control video record button
5. Remote control indicate light
6. Remote Controller

## First Use:

- Before powering on the unit, first connect the Camera and camera cable to the DVR.
  - Note: If you wish to use the hardwire remote, it must also be connected first prior to powering on the DVR. Disconnecting the camera while the DVR is powered on will result in a system error.
- Power on the DVR by pressing and holding the  button for 3 seconds. The indicator light and LCD will power on. Press and hold the power button again for 3 seconds to turn the DVR off.
- Included is a USB cable. When the DVR is powered off and the battery attached, it may be used to charge the battery. When the DVR is powered on, it may be used to connect the DVR to a computer and view any saved files.

Note: In order to prevent system errors or battery drain, the DVR will automatically lock the buttons after 15 seconds without use and will display a lock icon on the screen. To unlock the buttons, press the Lock button on the top of the DVR (see Interface Glossary above). The lock icon will go away and the buttons may now be used for their normal functions.

## Menu Access:

- Press and release the  button to enter systems menu
- Press  or  to navigate to desired setting
- Press  to enter the selected setting
- Press  or  to select an option
- Press  to confirm the selected option
- Press  to back out of the options so you may navigate to another setting



## Menu Settings:

- Photo Resolution: 16M, 12M, 5M or 3M
- Video Resolution: 1080P@30fps, 720P@60fps, 720P@30fps or 480P@30fps
- Continuous Shot: ON or OFF
- Pre-Record:
  - Motion Detection: Video recording will start and stop automatically based on motion.
  - Manual: Pre-record is active, but you must press [●] to start and end an actual video recording.
  - Turn off: This will turn off the Pre-record function.
  - Pre-Record Duration:
    - 1080P@30fps, 1 second
    - 720P@60fps, 1 second
    - 720P@30fps, 5 seconds
    - 480P@30fps, 5 seconds
- Over Write: On or OFF
  - Note: When turned ON, the screen will display a circular icon and the DVR will permanently delete the oldest video files once the SD Card memory becomes full. The system deletes old files to free up storage space for newly recorded video files.
- Vibrate mode: ON or OFF
- Language: English, Chinese, Chinese (complex), Japanese, Korean or Russian
- Auto LCD Off: 45 seconds, 30 seconds, 15seconds or OFF(screen constantly on)\
- Auto Sleep: 3 minutes, 2 minutes, 1 minute, OFF(never sleeps)
  - Note: When the DVR is in Sleep mode, you may still press the Record button on the hardware remote to begin recording.
- Auto Power Off: 15 minutes, 10 minutes, 5 minutes or OFF(never powers off)
- Frequency: 50Hz or 60Hz
- TV Standard: PAL, NTSC or LCD
- 2.4Ghz Remote: Set(enter pair mode) or Cancel(return to menu)
- Default: OK(factory reset) or Cancel(return to menu)
- Format: OK(format internal and removable memory, permanently deleting all files) or Cancel(return to menu)
- Date/Time: Set the device Date and Time
- Date Stamp: ON or OFF
- User Number: Set the device name
- Memory Info: Displays file counts, Free Space and Total Space
- Version: Displays firmware version on the device

## Video Recording:

1. To start a recording, move the switch on top of the DVR body to [●], or press the REC button on the hardwire remote if it is connected. The unit will vibrate quickly 3 times and the recording light will blink once to confirm the start.

**Note:** For Law Enforcement & Export models, audio may only be recorded with the hardwire remote attached.

2. During video recording, the system will display the resolution, remaining storage capacity and elapsed recording time.
3. Press ▲ ▼ before or during recording to adjust the camera zoom/focus.
4. To stop a recording, move the switch on top of the DVR body away from [●], or press the REC button on the hardwire remote if it is connected. The indicator light will turn off, the unit will vibrate slowly 3 times to confirm the stop, and then the file will be saved.
5. When the memory is full, the DVR will indicate on screen as well as vibrate 3 times every 15seconds.

**Note:** If Over Write is turned on, the device will instead permanently delete your oldest files and continue to record new files, instead of stopping.

## Taking Photos:

1. When viewing the live camera feed, press [ ■ ] on either the DVR body or the hardwire remote to take a photo. The DVR will vibrate 2 times and save the present picture in JPEG form.
2. If you wish to change the zoom/focus, press ▲ ▼ to adjust it.
3. During playback on recording video files, you make press [ ■ ] on either the DVR body or the hardwire remote to take a snapshot.
4. When the memory is full, the DVR will indicate on screen as well as vibrate 3 times every 15seconds.

**Note:** If Over Write is turned on, the device will instead permanently delete your oldest files and continue to record new ones instead of stopping.

## Video Playback:

1. Enter menu by pressing ► .
2. Select the folder or files you want to view by using ▲▼ .
3. If you want to delete or lock a folder or file, you need to select that folder or file and press ⏴ , then follow the menu options for Delete, Lock or Unlock.

## Included:

DVR	1PCS
Camera	1PCS
Fake button set	1 SET OF 4PCS
Data cable	2PCS
Hardwire Remote	1PCS
Wireless RF Remote	1PCS
DC5V /2A Charger	1PCS
Standard 2400MAH Battery	1PCS
Holding Case	1PCS
User manual	1PCS
USB cable	1PCS
AV cable	1PCS
Headphones	1 PCS

## Specifications:

2.7 LCD Screen	960 x 320 LCD
Video Output	NTSC / PAL
Video Mode	NTSC / PAL
Video Resolution	1080P@30fps, 720P@60fps, 720P@30fps or 480P@30fps
Video Format	H.264
Frequency	20HZ-20KHz
Output	Stereo
Headphones Output	L 20mW+R 20mW [16Ω](Max volume)
EMS Memory	128MB
Memory Capacity	Up to 32GB SD Card
Systems Requirements	Windows 98SE.ME.2000,XP, 7
USB	USB 2.0
Power	DC 5V, 2A
Build-in Battery	Li-ion battery 2400Mah
Video recording Time	Up to 4H
Standby Time	Up to 35H

## Troubleshooting Guide:

<b>Error</b>	<b>Reason</b>	<b>Method</b>
Power on light: off	No Power	Charge unit
Camera Indicate light: off	Control cable loose or connect after powered up	Power off, reconnect cable
Unit continuously vibrates	Lack of Power & EMS Memory full	Please connect charger for charging power, clear EMS Memory or add an external Memory Card that is empty